

D.T.MUX™ M

**Multi-role/Mission airborne data recorder
Cover Digital/Analog Avionics Data Bus
and Video/Voice needs. Quick access
Recorder from 64GB to 2TB. In ARINC 404
or cockpit DZUS installation following
MIL-STD-MS25212**



The D.T.MUX-M Airborne Data Recorder, is a powerful unit (Available in two form factor) with recoding capacity on Solid State Disk (SSD) from 64GB to 2TB, support Military Grade Encryption/Erase and Physical Destruction. IRIG 106 Chapter 10 Compliant.

An ultra-compact and standalone airborne data logging unit, with a quick access removable media of solid state flash memory, who permit an easy data retrieval at the exploitation center. D.T.MUX-M can be built to meet your customized configuration. This device is particularly adapted to mission use, like surveillance and reconnaissance activity

Applications

- Mission downloading
- Helicopter, aircraft pilot training and mission debriefing.
- Reconnaissance and surveillance
- Damage assessment of aircraft, helicopter, and UAV



Compact recorder, with low weight of 2Kg (4.4lbs) it allows you to record a lot of parameters in a reduced volume. This unit is capable to record in same time Analog/Digital bus, Video/Audio data.

These parameters can be multi video channels, until Ultra HD 4K 60fps Resolution/ full HD 1080/720p/l or lower (H.264/H.265 compression) and MIL-STD 1553, ARINC 429/717/573, PCM, CAN Bus, Gigabit Ethernet, RS232/422 and Analogic channels with signal conditioning (Strain gauge, ICP, Thermocouple...)

Unit Advantage

- Lightweight cockpit mission data acquisition/recording unit.
- Qualified for harsh environment (MIL-STD 810/704/461 and DO-160).
- Flexible design to follow aircraft-specific configuration.
- 64GB to 2TB Removable Memory Cartridge (SSD).
- Data encryption / Quick erase / Auto destruction of memory cells available.
- Until Ultra HD 4K or lower Images/video recording capacity.
- File Server Capability (FTP, TFTP, NFS, SMB/CIFS).
- DTMUX Format or IRIG-106 chapter 10 compliant.
- ARINC 404A rack or Cockpit DZUS rack.
- Can be control with D.T.MUX Remote Control unit.
- Event Marking available.
- No Preventive Maintenance.



E-mail : contact.us@etep.com
www.etep.com

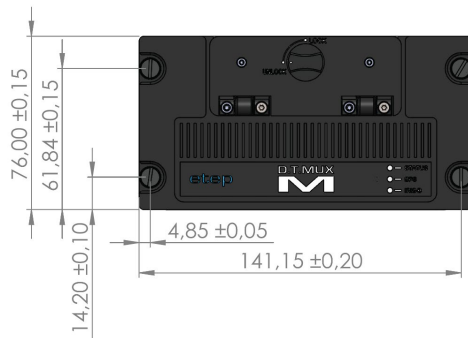
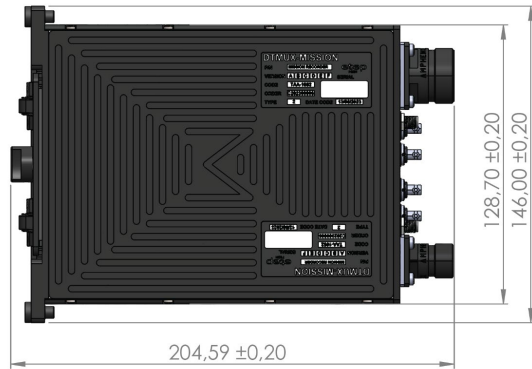


ETEP is an AS/EN 9100 v2018 and ISO 9001 v2015 certified company - NATO identification code NCAGE: F9281
ETEPE, D.T.MUX and D.T.MUX RECORDER are registered trademarks of ETEP Company, registered in the FR.
Document data can be change without notice.

Copyright © 2024 ETEP Company
Image illustrations are the property of ETEP Company

MECHANICAL

	Specification	Remark
Size (S)	204.6 x 146 x 76 mm	Standard
	204.6 x 146 x 88 mm	CP option
Weight	≈ 2Kg	≈ 4.4lbs
Connectors	MIL-DTL-38999	Serie III
Mounting	DZUS or Fix plate	Customizable



ELECTRICAL

Input Voltage	28Vdc (16 to 36Vdc)
Power consumption	≈ 25 to 50 watts (28Vdc)
Power Interruption	≈ 85 to 100ms
Standard	MIL-STD-704F

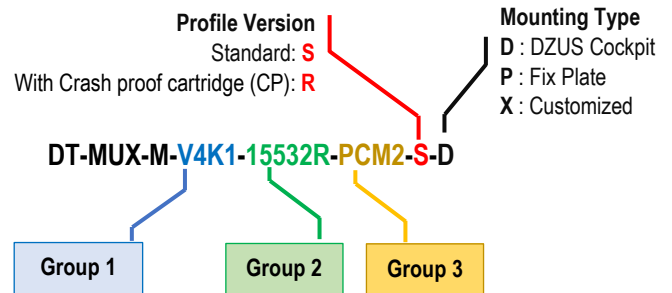
ENVIRONMENTAL

	Specification	Remark
Temperature	-40°C to 71°C	Operating
	-55°C to 95°C	Storage
Cooling	Passive	Convection
Humidity	95%	Non-Cond
Vibration	5Hz to 2kHz	6.29 g RMS
Shocks	60g 11ms	Operating
Acceleration	24g linear 3 axis	Operating
Altitude	+ 60,000 ft	Operating
Decompression	420Kpa/minute	Operating
MTBF	> 50,000 hours	Computed
EMI	MIL-STD-461	Rev F

STANDARD FUNCTIONALITY

	Specification
GbE	Configuration/Control
Ethernet	Data download and Streaming
Time synch	GPS Antenna input / Irig B / PTP v2
Audio	One included
Recording	IRIG 106 Chapter 10 / DTMUX format
COM port	RS-232 Configuration/Maintenance
LED	Status / GPS / IRIG B

D.T.MUX M CODE COMPOSITION



SELECTABLE CHANNELS

TYPE	CODE	Max Channels**		
MIL-STD-1553	1553	2R (4)	2R (4)	0
ETHERNET (GbE)	ETH	4	4	0
ARINC 429	A429	12	12	8
ARINC 717	A717	12	12	8
ARINC 573	A573	12	12	8
PCM	PCM	4	4	4
RS232/422	RS	12	12	8
CAN	CAN	8	8	8
DISCRETE	DS	24	24	12
ANALOG	LOG	16	16	8
VIDEO SD	VSD	2	2	2
VIDEO HD	VHD	2	2	0
VIDEO 4K	V4K	2	2	0

System can be design following your special requirement.

**You can select number of channel desired from 0 to max value.

STORAGE SSD CARTRIDGE

SSD-256-DE-QE-0-M



Storage Capacity	32 / 64 / 128 / 256 / 512 / 1TB / 2TB
Data Encryption	DE / 0*
Quick Erase	QE / 0*
Physical Destruction	PD / 0*
Crash Proof	CP / 0*

*0= None

SSD for configuration is also available
PN# **SSD-CONF-M**