

# D.T.MUX™ M

**Multi-role/Mission airborne data recorder  
Cover Digital/Analog Avionics Data Bus  
and Video/Voice needs. Quick access  
Recorder from 64GB to 16TB. In ARINC  
404 or cockpit DZUS installation following  
MIL-STD-MS25212**



The D.T.MUX-M Airborne Data Recorder, is a powerful unit (Available in two form factor) with recording capacity on Solid State Disk (SSD) from 64GB to 16TB, support Military Grade Encryption/Erasure and Physical Destruction. IRIG 106 Chapter 10 Compliant.

An ultra-compact and standalone airborne data logging unit, with a quick access removable media of solid state flash memory, who permit an easy data retrieval at the exploitation center. D.T.MUX-M can be built to meet your customized configuration. This device is particularly adapted to mission use, like surveillance and reconnaissance activity

## Applications

- Mission downloading
- Helicopter, aircraft pilot training and mission debriefing.
- Reconnaissance and surveillance
- Damage assessment of aircraft, helicopter, and UAV



Compact recorder, with low weight of 2Kg (4.4lbs) it allows you to record a lot of parameters in a reduced volume. This unit is capable to record in same time Analog/Digital bus, Video/Audio data.

These parameters can be multi video channels, until Ultra HD 4K 60fps Resolution/ full HD 1080/720p/I or lower (H.264/H.265 compression) and MIL-STD 1553, ARINC 429/717/573, PCM, CAN Bus, Gigabit Ethernet, RS232/422 and Analogic channels with signal conditioning (Strain gauge, ICP, Thermocouple...)

## Unit Advantage

- Lightweight cockpit mission data acquisition/recording unit.
- Qualified for harsh environment (MIL-STD 810/704/461 and DO-160).
- Flexible design to follow aircraft-specific configuration.
- 64GB to 16TB Removable Memory Cartridge (SSD).
- Data encryption / Quick erase / Auto destruction of memory cells available.
- Until Ultra HD 4K or lower Images/video recording capacity.
- File Server Capability (FTP, TFTP, NFS, SMB/CIFS).
- DTMUX Format or IRIG-106 chapter 10 compliant.
- ARINC 404A rack or Cockpit DZUS rack.
- Can be control with D.T.MUX Remote Control unit.
- Event Marking available.
- No Preventive Maintenance.



E-mail : [contact.us@etep.com](mailto:contact.us@etep.com)  
[www.etep.com](http://www.etep.com)

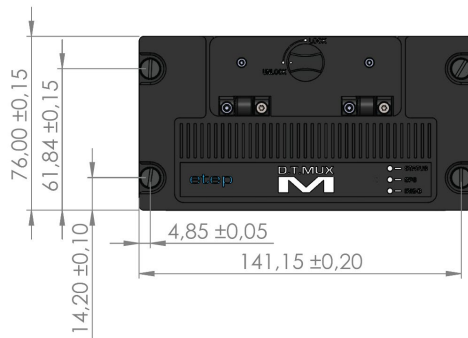
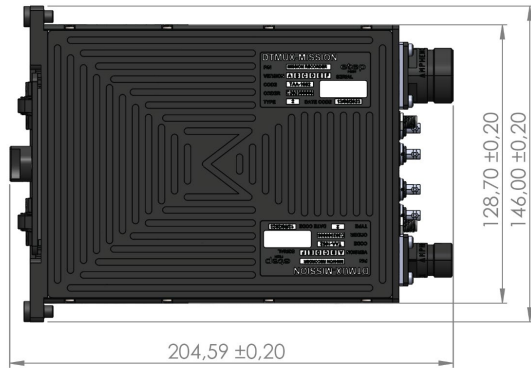


ETEP is an AS/EN 9100 v2018 and ISO 9001 v2015 certified company - NATO identification code NCAGE: F9281  
ETEPE, D.T.MUX and D.T.MUX RECORDER are registered trademarks of ETEP Company, registered in the FR.  
Document data can be change without notice.

Copyright © 2024 ETEP Company  
Image illustrations are the property of ETEP Company

## MECHANICAL

	Specification	Remark
<b>Size (S)</b>	204.6 x 146 x 76 mm	Standard
	204.6 x 146 x 88 mm	CP option
<b>Weight</b>	≈ 2Kg	≈ 4.4lbs
<b>Connectors</b>	MIL-DTL-38999	Serie III
<b>Mounting</b>	DZUS or Fix plate	Customizable



## ELECTRICAL

<b>Input Voltage</b>	28Vdc (16 to 36Vdc)
<b>Power consumption</b>	≈ 25 to 50 watts (28Vdc)
<b>Power Interruption</b>	≈ 85 to 100ms
<b>Standard</b>	MIL-STD-704F

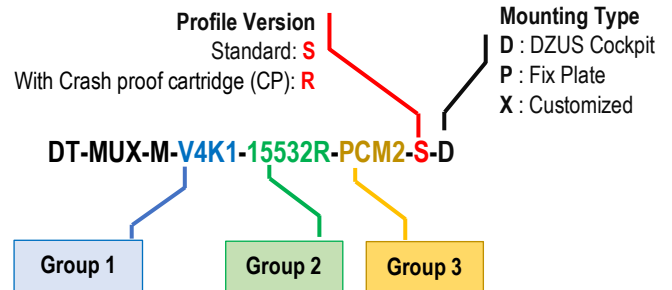
## ENVIRONMENTAL

	Specification	Remark
<b>Temperature</b>	-40°C to 71°C	Operating
	-55°C to 95°C	Storage
<b>Cooling</b>	Passive	Convection
<b>Humidity</b>	95%	Non-Cond
<b>Vibration</b>	5Hz to 2kHz	6.29 g RMS
<b>Shocks</b>	60g 11ms	Operating
<b>Acceleration</b>	24g linear 3 axis	Operating
<b>Altitude</b>	+ 60,000 ft	Operating
<b>Decompression</b>	420Kpa/minute	Operating
<b>MTBF</b>	> 50,000 hours	Computed
<b>EMI</b>	MIL-STD-461	Rev F

## STANDARD FUNCTIONALITY

	Specification
<b>GbE</b>	Configuration/Control
<b>Ethernet</b>	Data download and Streaming
<b>Time synch</b>	GPS Antenna input / Irig B / PTP v2
<b>Audio</b>	One included
<b>Recording</b>	IRIG 106 Chapter 10 / DTMUX format
<b>COM port</b>	RS-232 Configuration/Maintenance
<b>LED</b>	Status / GPS / IRIG B

## D.T.MUX M CODE COMPOSITION



## SELECTABLE CHANNELS

TYPE	CODE	Max Channels**		
MIL-STD-1553	<b>1553</b>	2R (4)	2R (4)	0
ETHERNET (GbE)	<b>ETH</b>	4	4	0
ARINC 429	<b>A429</b>	12	12	8
ARINC 717	<b>A717</b>	12	12	8
ARINC 573	<b>A573</b>	12	12	8
PCM	<b>PCM</b>	4	4	4
RS232/422	<b>RS</b>	12	12	8
CAN	<b>CAN</b>	8	8	8
DISCRETE	<b>DS</b>	24	24	12
ANALOG	<b>LOG</b>	16	16	8
VIDEO SD	<b>VSD</b>	2	2	2
VIDEO HD	<b>VHD</b>	2	2	2
VIDEO 4K	<b>V4K</b>	2	2	0

System can be design following your special requirement.

\*\*You can select number of channel desired from 0 to max value.

## STORAGE SSD CARTRIDGE

**SSD-256-DE-QE-0-M**



<b>Storage Capacity</b>	64 / 128 / 256 / 512 / 2TB / 8TB ...
<b>Data Encryption</b>	DE / 0*
<b>Quick Erase</b>	QE / 0*
<b>Physical Destruction</b>	PD / 0*
<b>Crash Proof</b>	CP / 0*

\*0= None

SSD for configuration is also available  
PN# **SSD-CONF-M**